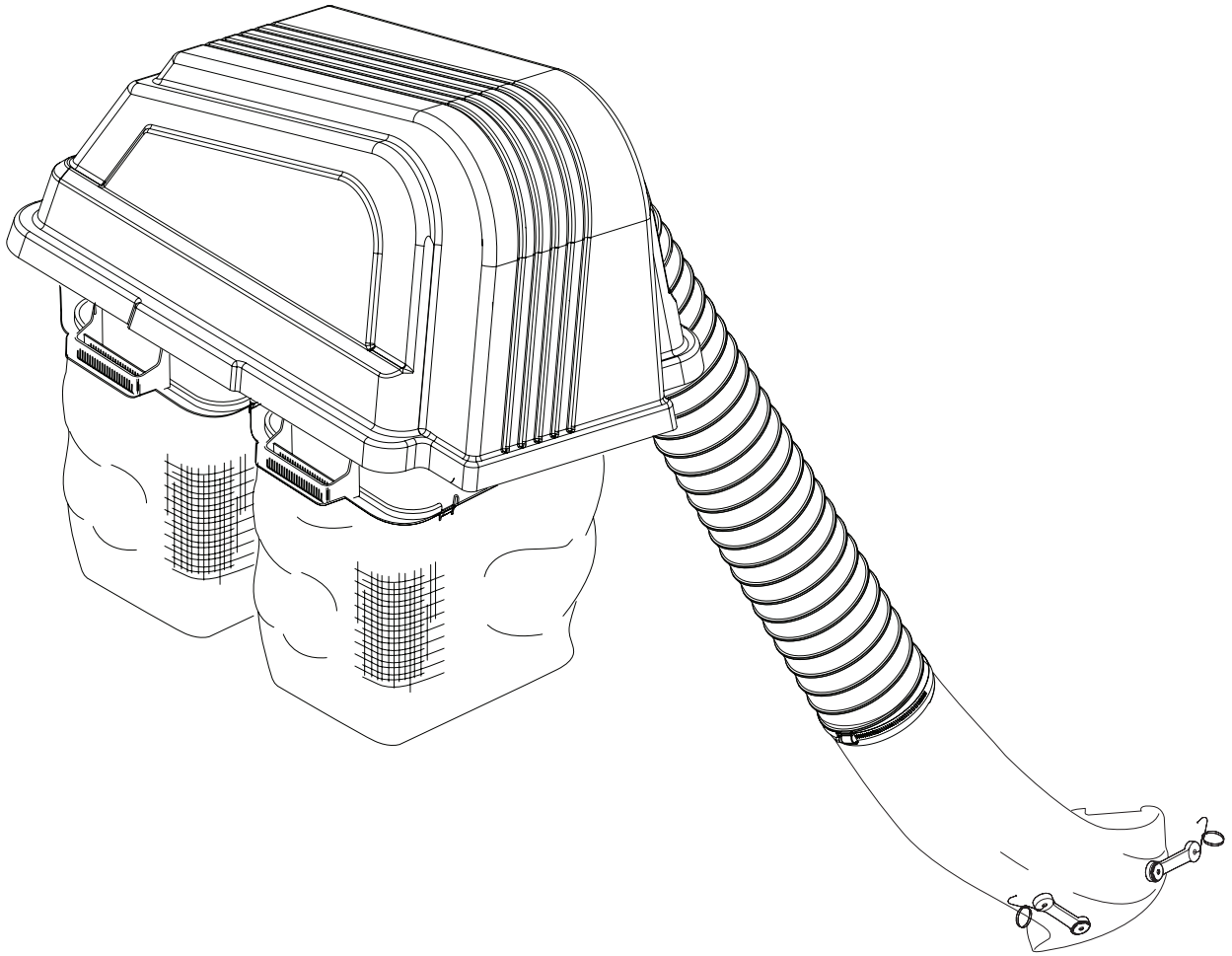


Operator and Parts Manual

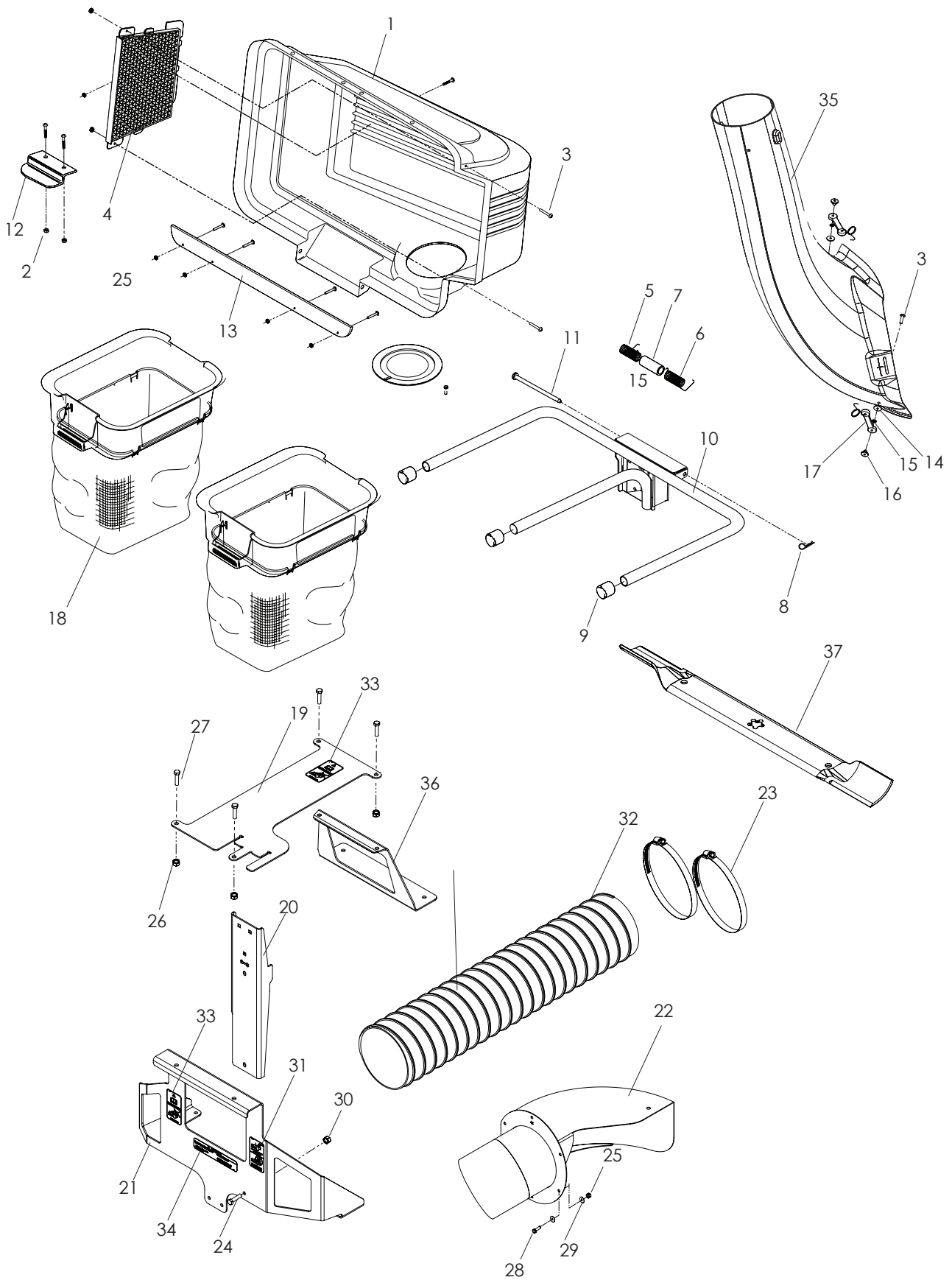


Grass Catcher

Z 42" 539 110164

Z 46" 968 999746

PARTS



PARTS

ITEM	PART NO.	QTY.	DESCRIPTION	ITEM	PART NO.	QTY.	DESCRIPTION
1..	539 1111391	COVER ASSM, COMPLETE INCLUDES ITEMS 2-13	21..	539 1099301	REAR BRACKET W/DECALS
2..	532 063180	..10	NUT, #10-24, CROWNLOCK	22..	539 1111341	INLET
3..	539 976952	..10	SCREW #10-24 X 5/8	23..	539 0970762	HOSE CLAMP
4..	532 1275331	SCREEN, COVER	24..	539 9769341	HCS 5/16-18 x 3/4
5..	532 1327961	SPRING, COVER, LH	25..	539 9769786	NUT 1/4-20 NYLOC
6..	532 1329831	SPRING, COVER RH	26..	539 9769794	NUT 3/8-16 NYLOC
7..	532 1332351	SPACER, COVER	27..	539 9901344	HCS 3/8-16 x 3/4
8..	532 1246701	SPRING, RETAINER	28..	539 9905806	HCS 1/4-20 x 3/4
9..	532 1740833	CAP, TUBING END	29..	539 990598	..12	WASHER 1/4
10..	532 1797461	BAGGER, FRAME	30..	539 9907171	NUT 5/16-18 NYLOC
11..	532 1286001	PIN, HINGE	31..	539 1099291	DECAL, PAYLOAD
12..	532 1308951	LATCH HANDLE, COVER	32..	539 1111361	HOSE, 42"
13..	532 1550421	STRIP, REINFORCEMENT		539 132209	...1	HOSE, 46"
14..	539 1080842	WASHER, 3/16 x 3/4 16 GA	33..	539 1099272	DECAL, UTIL BOX WARNING
15..	539 1085522	LOCKWASHER	34..	539 1099281	DECAL, UTIL BOX PAYLOAD
16..	539 1080891	NUT, WELD	35..	539 1110071	LOWER CHUTE, 42"
17..	539 1081941	LATCH ASSM, CHUTE		532 405455	...1	LOWER CHUTE, 46"
18..	532 4002262	CONTAINER, SOFT BAG	36..	539 1100521	FRONT BRACKET
19..	539 1110031	PLATE W/DECAL	37..	532 1929271	HI LIFT BLADE 42"
20..	539 1109971	HANGER				

NOTE: ALL FASTENERS ARE GRADE 5 UNLESS OTHERWISE SPECIFIED.